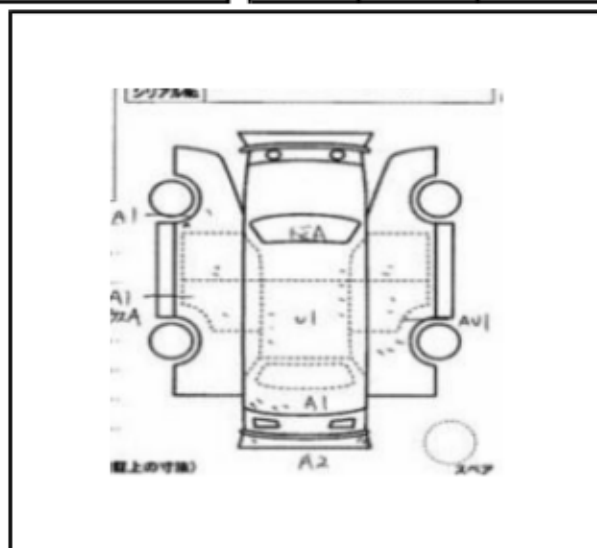


Translated auction sheet

Lot No.	Registration	Model Name	Doors	Grade	Auction Grade	
50902	Year	FIT HYBRID	5	HVF Package	4	
	2015					
	Month	History of Use	Dispalcement	Fuel Type	Model Code	Int
2		1550 cc	Petrol	DAA-GP5	B	

Mileage	License Expiration	License No.	Dead Line for Ownership Transfer	Sales Point		
29,306 km	Feb-18	hamamatsu 502 ta 7044	Feb-2018	External navigation ETC camera		
Shift	AC Type	Body Colour	Seating Capacity	Max. Load		
AT	AAC	Lt.GRAY	persons			
		Colour Code	Interior Colour	Means of Importation	Recycle Fee	
		NH823M		Dealer	Individual	10,460
Parts to be mailed to you after auction						
Precautions						
Original Options						
PS PW Air B						
Chassis No.						
GP5-3200856						
Body Specs						
L	395	W	169	H	152	

Inspector Comments
Hand scrab Sheet adhesion Room scraches,some stains Wheel cap scratches Each small scratch
Annoument from Auction House



CERTIFIED TRUE COPY
JUMVEA